

Autoterm Air 2D protective box assembly manual.

Mounting/protective box AT0019 is intended for the Autoterm Air 2D 12/24V heater indoor or outdoor installation and complies with the IP44 requirements. This protective box helps to keep heater reliability in the hard exploitation conditions. Heater mounting positions should be kept according heater installation manual ([Air 2D installation manual link](#)).

Standard AT0020 kit includes:

1. Bottom plate
2. Top cover
3. Two 60mm air pipe flanges
4. Rubber seal for the wiring harness
5. 4x screws



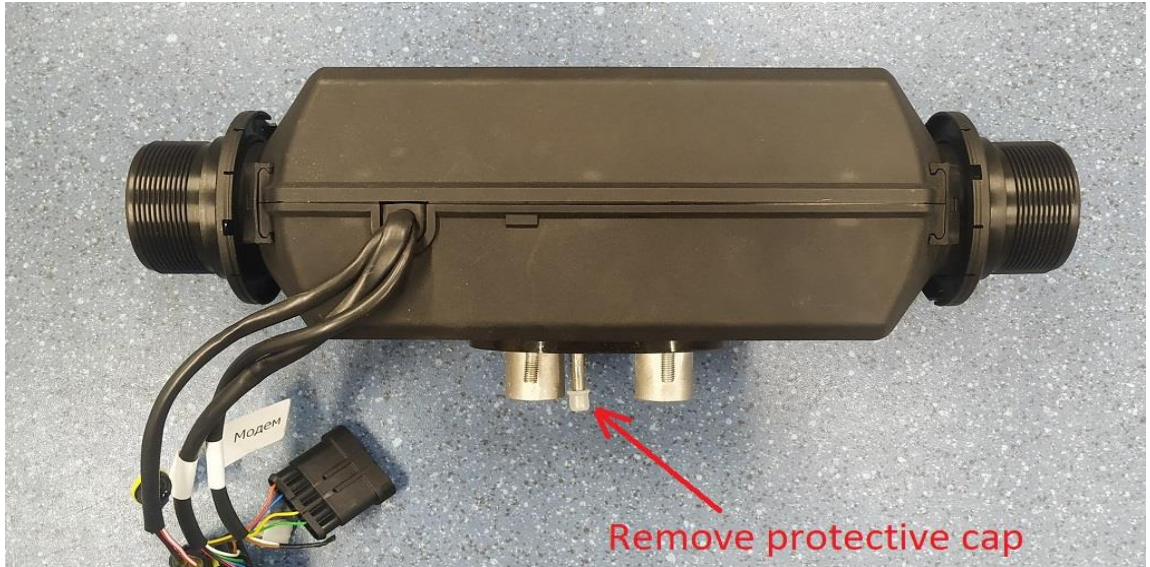
Picture 1.

1. Remove two grilles on both sides of the heater (Picture 2).



Picture 2.

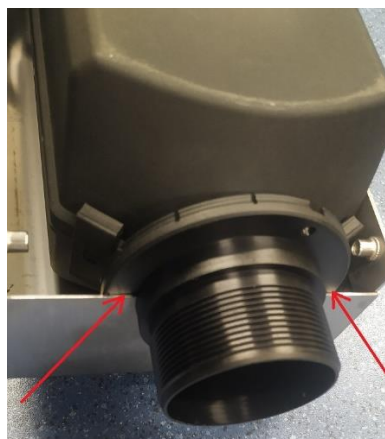
2. Remove fuel line protective cup and put air pipes flanges onto grille places as is shown in the Picture 3.



Picture 3.

3. Put the heater into the bottom plate to have intake, exhaust and fuel pipe connectors out of the bottom plate. Make sure air pipes flanges are in correct positions (Picture 4). If necessary, fasten the heater to the bottom plate using the nuts from the mounting kit supplied with the heater*

* (Depends on type of mounting bracket)



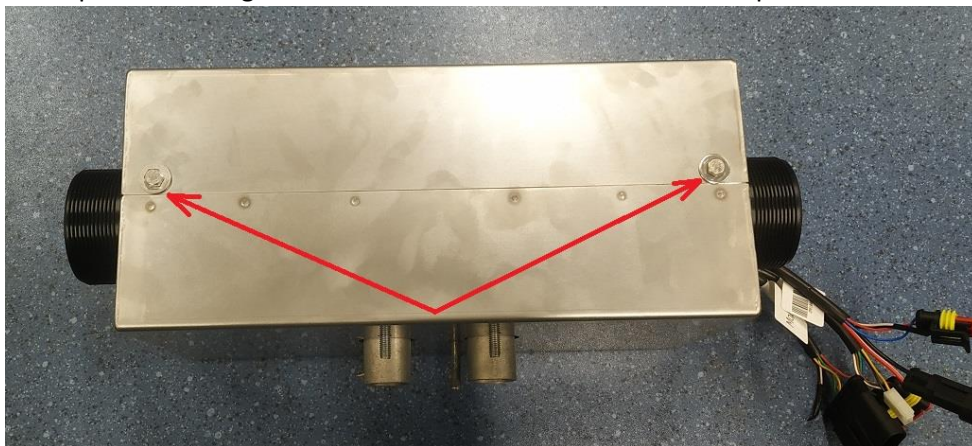
Picture 4.

4. Insert the rubber seal to the notch and insert heater harness as shown in the Picture 5.



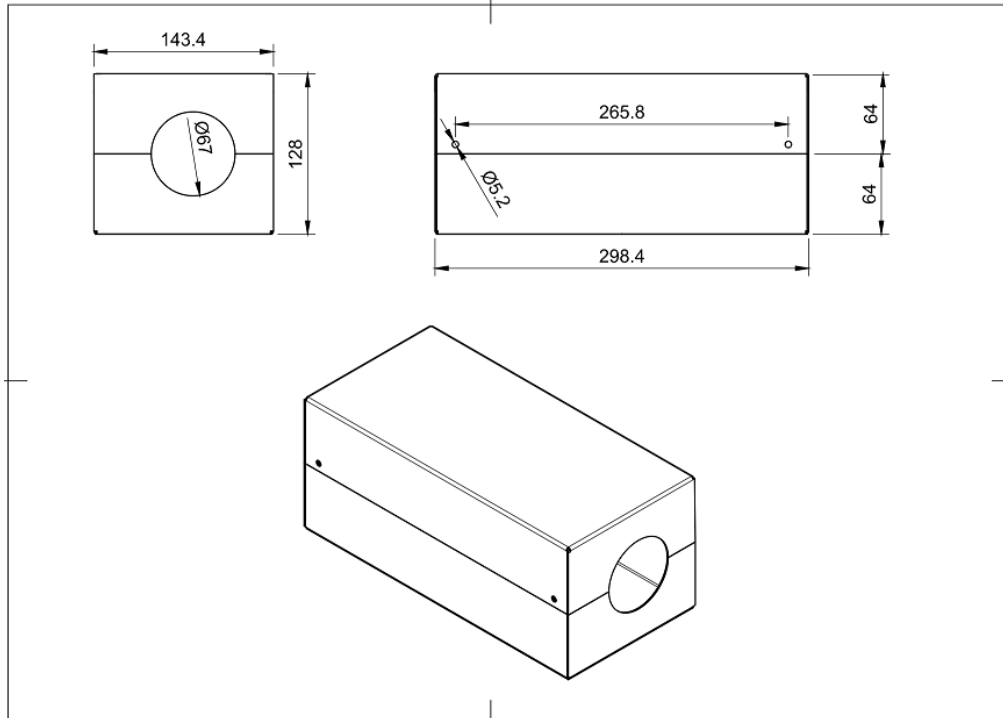
Picture 5.

5. Put top cover and tight it with the 4x screws as is shown in the picture 6.



Picture 6.

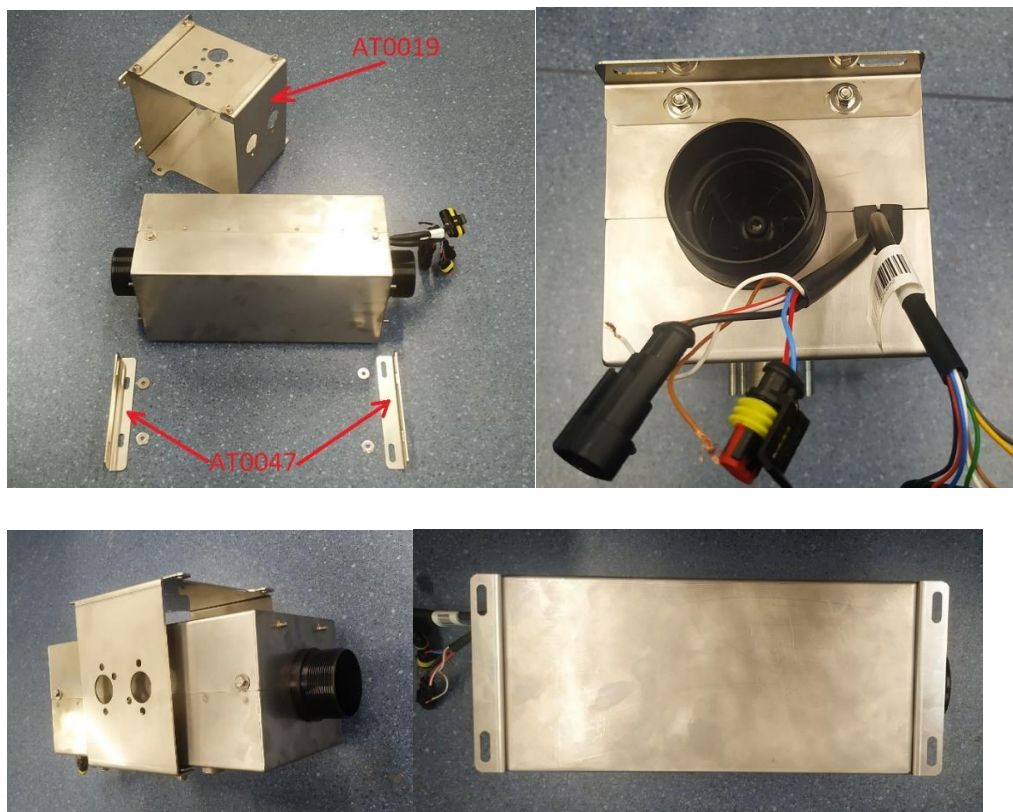
6. Mounting box AT0020 dimensions:



7. Optional brackets AT0019 & AT0047.

-AT0019 is a universal bracket and allows to combine different mounting places (floor or underfloor; ceiling, walls) with the heater position. Can be used with the Air 2D/4D heaters without protective box.

- AT0047 is intended to install mounting box to the ceiling or underfloor.



Contacts:

**Autoterm LLC
72 Paleju street
Marupe
LV-2167
Latvia
www.autoterm.com**

**Technical support: service@autoterm.com
+371 25529999**

**Warranty department: warranty@autoterm.com
+371 23276445**

**Special projects department: tech@autoterm.com
+371 23552234**